

NEW

Series 5082.01

- Sturdy design
- For use in tough conditions
- Spring forces up to 8.0 N

Mechanical Data

Center	6.50 mm / 256 mil
Full Travel	5.00 mm
Working Travel	4.00 mm
Pre-Loaded Spring Force	0.20/ 0.40/ 1.00/ 1.60 N
Spring Force at Working Travel	0.60/ 1.50/ 3.00/ 8.00 N

Electrical Data

Connector / Receptacle

Max. Current Rating	5.0...8.0 A
Typical Continuity Resistance	≤ 100 mOhm

Connector / Plunger

Max. Current Rating	15.0...20.0 A
Typical Continuity Resistance	≤ 10 mOhm

Materials

Barrel	Brass, gold plated
Spring	Stainless Steel
Plunger	Steel

Recommended Diameter of Drill

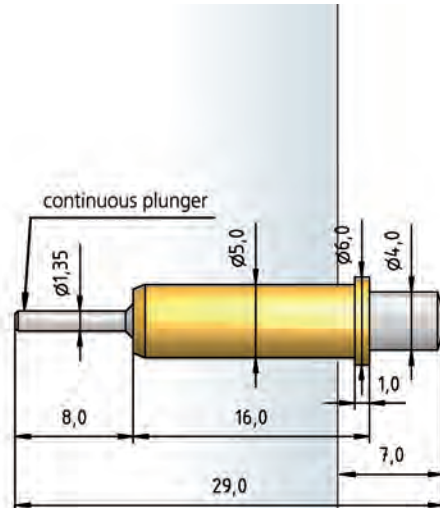
HP 2361.1 (Trolitax)	5.59...5.60 mm
----------------------	----------------

Tip Style · Diameter · Plating

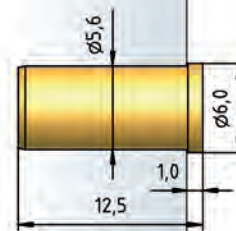


B1	C	D	G
4.00 Ni	4.00 Ni	4.00 Ni	4.00 Ni

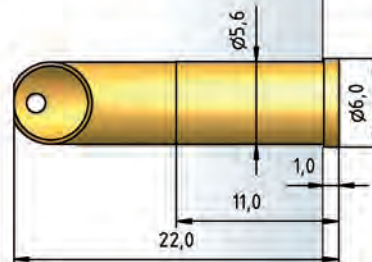
5082.01



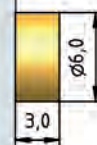
H 5082



H 5082/S.01-22



ZRH 5082/3



How to Order

5082.01 - D - 3.0 N - Ni - 4.0

1 2 3 4 5

1. Series 2. Tip Style 3. Spring Force 4. Tip Plating 5. Tip Diameter