



AK1350/..DS-3.5-GREY-CP

Technical Data

Wire Sizes		Insulating Material	
Solid min	0.08 mm ²	Material	PA 6.6
Solid max	1.5 mm ²	Flammability Class	UL 94 V-0
Stranded (flexible) min	0.08 mm ²	Temperatures	
Stranded (flexible) max	1.5 mm ²	Operating Temperature	-30 °C - 105 °C
Stranded with Ferrule min	0.14 mm ²	Wave Soldering Process	
Stranded with Ferrule max	0.5 mm ²	Soldering Temperature, recommended	-
Dimensions		Peak Soldering Time, recommended	-
Stripped Length	5.0 mm	Reflow Process	
PCB Hole Diameter	-	Soldering Temperature, recommended	-
Materials		Peak Soldering Time, recommended	-
Clamp	Brass		
Wire Guard	Stainless Steel		
Screw	Bronze		
Contact Spring	Bronze		

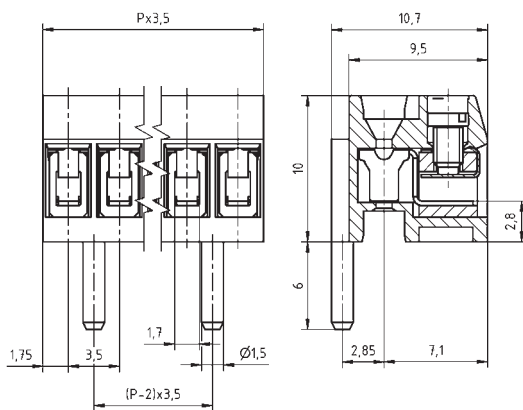
Colours

■ GREY, RAL 7016

Colours according to RAL, there may be variations on colour due to production conditions. Special colours on request.

Counterparts (Spacing 3.5 mm)

Pin Strip
STL1350



Order Data (Spacing 3.5 mm)

Poles	Width (mm)	Article Designation	Article Number	PU
2	7.00	AK1350/2DS-3.5-GREY-CP	51350020121G	250
3	10.50	AK1350/3DS-3.5-GREY-CP	51350030121G	250
4	14.00	AK1350/4DS-3.5-GREY-CP	51350040121G	250
5	17.50	AK1350/5DS-3.5-GREY-CP	51350050121G	250
6	21.00	AK1350/6DS-3.5-GREY-CP	51350060121G	250
7	24.50	AK1350/7DS-3.5-GREY-CP	51350070121G	250
8	28.00	AK1350/8DS-3.5-GREY-CP	51350080121E	100
9	31.50	AK1350/9DS-3.5-GREY-CP	51350090121E	100
10	35.00	AK1350/10DS-3.5-GREY-CP	51350100121E	100
11	38.50	AK1350/11DS-3.5-GREY-CP	51350110121E	100
12	42.00	AK1350/12DS-3.5-GREY-CP	51350120121E	100

Accessories

Figure	Designation	Article Number
	Bridge, 2-pole, angled, BR/2-3.5/3.81-H-L4.7	50000000019
	Bridge, 2-pole, BR/2-3.5/3.81-L4.7	50000000013
	Bridge, 3-pole, BR/3-3.5/3.81-L4.7	50000000014
	Bridge, 2-pole, insulated, BR/2-7.0/7.62-L7.5-LIGHT GREY	50000000018

See pages 282 ff for detail and general accessories and see pages 12/13 concerning services.

Ratings

Usegroup	c ALUS		VDE	
	B	C	D	
Rated Voltage	150 V	-	-	125 V
Rated Current	9 A	-	-	8 A
Overvoltage Category				III
Rated Wire Size			min	max
	solid	AWG 28-16	-	0.2 mm ² (4 A) 1.5 mm ² (8 A)
	stranded	AWG 28-16	-	0.2 mm ² (4 A) 1.5 mm ² (8 A)
Torque	0.25 Nm		-	0.25 Nm
Screw Size	M2		-	M2
Test Voltage	1.3 kV		-	2.5 kV
Pollution Degree			-	3