

# Series 4006

- Contacting of individual test points
- Contacting without adapter possible
- For use in function test

### Mechanical Data

Center	3.00 mm / 118 mil
Full Travel	10.00 mm
Working Travel	6.00 mm
Spring Force at Working Travel	0.60 N
Operating Pressure	6 bar
Operating Medium	Compressed Air (filtered, oil-free)

### Electrical Data

Max. Current Rating	2.0 A
Typical Continuity Resistance	≤ 30 mOhm

### Materials

Barrel	Brass, gold plated
Spring	Spring Steel, gold plated
Plunger	Steel
Receptacle	Brass, gold plated

### Recommended Diameter of Drill

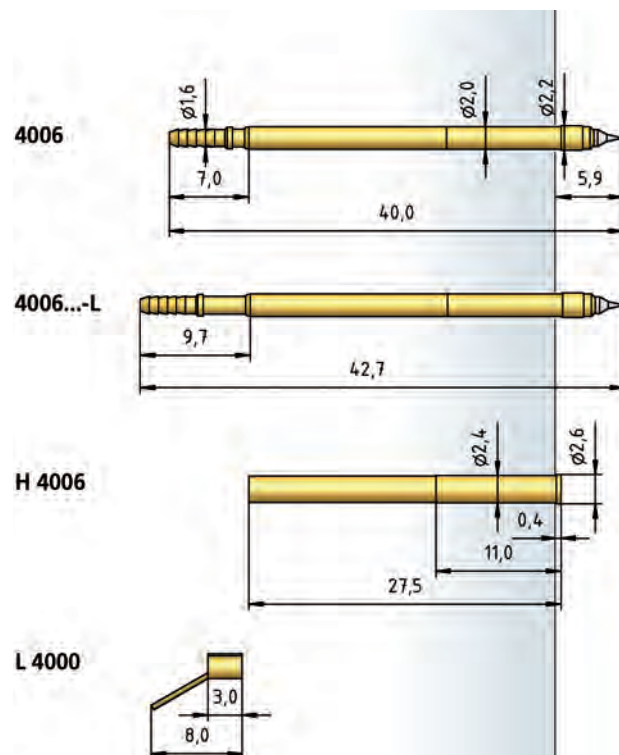
HP 2361.1 (Trolitax)	2.40 mm
HGW 2372 (Glass filled Material)	2.41 mm

### Tip Style · Diameter · Plating



BST1	C	G	V
1.50 Rh	2.50 Rh	1.30 Rh	1.00 Rh

Accessories see page 146



### How to Order

**4006 - BST1 - 0.6 N - Rh - 2.0 - L**

1. Series 2. Tip Style 3. Spring Force 4. Tip Plating 5. Tip Diameter  
6. For Connection of L 4000