



AK3191/..KD-2.5-PEBBLE GREY AKZ3191/..KD-2.54-ORANGE

1- to n-poles

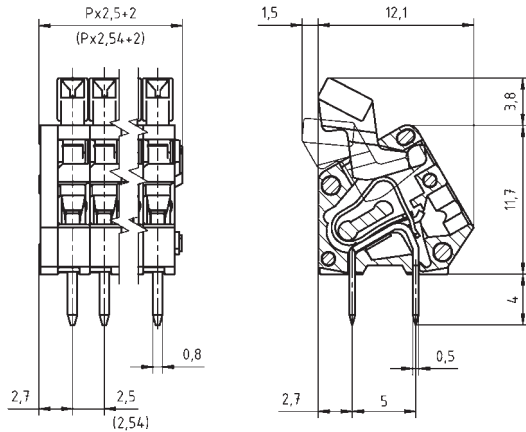
Technical Data

Wire Sizes		Insulating Material	
Solid min	0.08 mm ²	Material	PA 6.6
Solid max	1.0 mm ²	Flammability Class	UL 94 V-0
Stranded (flexible) min	0.14 mm ²	Temperatures	
Stranded (flexible) max	0.5 mm ²	Operating Temperature	-30 °C - 105 °C
Stranded with Ferrule min	0.14 mm ²	Wave Soldering Process	
Stranded with Ferrule max	0.14 mm ²	Soldering Temperature, recommended	265 °C
Dimensions		Peak Soldering Time, recommended	3 s / 10 s
Stripped Length	5.0 mm	Reflow Process	
PCB Hole Diameter	1.1 mm	Soldering Temperature, recommended	-
Materials		Peak Soldering Time, recommended	-
Solder Tag	Copper Alloy		
Tension Spring	Stainless Steel		

Colours

PEBBLE GREY, RAL 7032 ORANGE, RAL 2011

Colours according to RAL, there may be variations on colour due to production conditions. Special colours on request.



Order Data (Spacing 2.5 mm)

Poles	Width (mm)	Article Designation	Article Number	PU
1	4.50	AK3191/1KD-2.5-PEBBLE GREY	53191011001F	200
2	7.00	AK3191/2KD-2.5-PEBBLE GREY	53191021001F	200
3	9.50	AK3191/3KD-2.5-PEBBLE GREY	53191031001F	200
4	12.00	AK3191/4KD-2.5-PEBBLE GREY	53191041001F	200
5	14.50	AK3191/5KD-2.5-PEBBLE GREY	53191051001E	100
6	17.00	AK3191/6KD-2.5-PEBBLE GREY	53191061001E	100
7	19.50	AK3191/7KD-2.5-PEBBLE GREY	53191071001E	100
8	22.00	AK3191/8KD-2.5-PEBBLE GREY	53191081001D	50
...
12	32.00	AK3191/12KD-2.5-PEBBLE GREY	53191121001D	50

Order Data (Spacing 2.54 mm)

Poles	Width (mm)	Article Designation	Article Number	PU
1	4.54	AKZ3191/1KD-2.54-ORANGE	53191010321F	200
2	7.08	AKZ3191/2KD-2.54-ORANGE	53191020321F	200
3	9.62	AKZ3191/3KD-2.54-ORANGE	53191030321F	200
4	12.16	AKZ3191/4KD-2.54-ORANGE	53191040321F	200
5	14.70	AKZ3191/5KD-2.54-ORANGE	53191050321E	100
6	17.24	AKZ3191/6KD-2.54-ORANGE	53191060321E	100
7	19.78	AKZ3191/7KD-2.54-ORANGE	53191070321E	100
8	22.32	AKZ3191/8KD-2.54-ORANGE	53191080321D	50
...
12	32.48	AKZ3191/12KD-2.54-ORANGE	53191120321D	50

Ratings



Usegroup	B	C	D		
Rated Voltage	150 V	-	-	130 V	
Rated Current	4 A	-	-	9 A	
Rated Wire Size				min	max
solid	AWG 28-20	-	-	0.2 mm ²	0.5 mm ²
stranded	-	-	-	-	-
Test Voltage	1.3 kV	-	-	1.25 kV	