




AKZ4301/..KD-5.08-BASALT GREY



Technical Data

Wire Sizes		Insulating Material	
Solid min	0.08 mm ²	Material	PA 6.6
Solid max	1.5 mm ²	Flammability Class	UL 94 V-0
Stranded (flexible) min	0.20 mm ²	Temperatures	
Stranded (flexible) max	1.5 mm ²	Operating Temperature	-30 °C - 105 °C
Stranded with Ferrule min	0.14 mm ²	Wave Soldering Process	
Stranded with Ferrule max	1.0 mm ²	Soldering Temperature, recommended	265 °C
Dimensions		Peak Soldering Time, recommended	3 s / 10 s
Stripped Length	10.0 mm	Reflow Process	
PCB Hole Diameter	1.4 mm	Soldering Temperature, recommended	-
Materials		Peak Soldering Time, recommended	-
Solder Tag	Brass		
Clamp Spring	Stainless Steel		

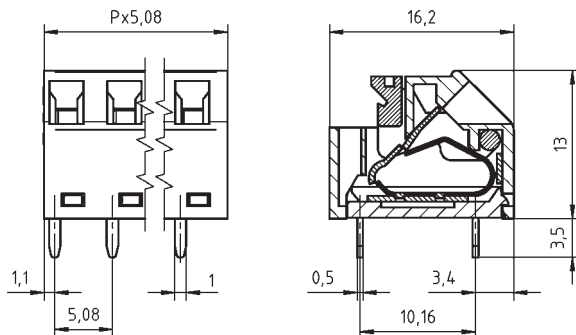
Colours

	BASALT GREY, RAL 7012		GREEN, RAL 6018
	LIGHT GREEN, similar RAL 6018		

Colours according to RAL, there may be variations on colour due to production conditions. Special colours on request.

Order Data (Spacing 5.08 mm)

Poles	Width (mm)	Article Designation	Article Number	PU
2	10.16	AKZ4301/2KD-5.08-BASALT GREY	54301020421D	50
3	15.24	AKZ4301/3KD-5.08-BASALT GREY	54301030421D	50
4	20.32	AKZ4301/4KD-5.08-BASALT GREY	54301040421D	50
5	25.40	AKZ4301/5KD-5.08-BASALT GREY	54301050421D	50
6	30.48	AKZ4301/6KD-5.08-BASALT GREY	54301060421D	50
7	35.56	AKZ4301/7KD-5.08-BASALT GREY	54301070421D	50
8	40.64	AKZ4301/8KD-5.08-BASALT GREY	54301080421D	50



Ratings



Usegroup	B	C	D		
Rated Voltage	300 V	-	300 V	250 V	
Rated Current	10 A	-	10 A	16 A	
Rated Wire Size				min	max
	solid	AWG 22-16	-	AWG 22-16	0.2 mm ² / 2.5 mm ²
	stranded	AWG 22-16	-	AWG 22-16	0.2 mm ² / 1.5 mm ²
Test Voltage	1.6 kV	-	1.6 kV	2.0 kV	