

# AK4191/..KDVP-2.5-PEBBLE GREY

1- to n-poles



### Technical Data

Wire Sizes		Insulating Material	
Solid min	0.14 mm <sup>2</sup>	Material	PA 6.6
Solid max	0.75 mm <sup>2</sup>	Flammability Class	UL 94 V-0
Stranded (flexible) min	0.14 mm <sup>2</sup>	<b>Temperatures</b>	
Stranded (flexible) max	0.75 mm <sup>2</sup>	Operating Temperature	-30 °C - 105 °C
Stranded with Ferrule min	0.14 mm <sup>2</sup>	<b>Wave Soldering Process</b>	
Stranded with Ferrule max	0.34 mm <sup>2</sup>	Soldering Temperature, recommended	265 °C
<b>Dimensions</b>		Peak Soldering Time, recommended	3 s / 10 s
Stripped Length	9.0 mm	<b>Reflow Process</b>	
PCB Hole Diameter	1.2 mm	Soldering Temperature, recommended	-
<b>Materials</b>		Peak Soldering Time, recommended	-
Contact Pin	Bronze		

### Colours


	PEBBLE GREY, RAL 7032		ORANGE, RAL 2011
	BLUE, RAL 5015		LIGHT GREEN, similar RAL 6018

Colours according to RAL, there may be variations on colour due to production conditions. Special colours on request.

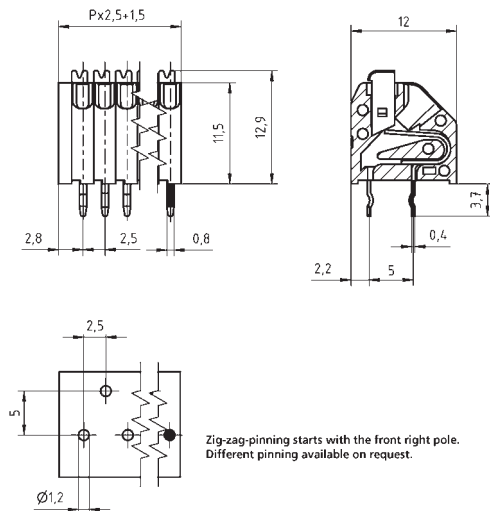
### Order Data (Spacing 2.5 mm)

Poles	Width (mm)	Article Designation	Article Number	PU
1	4.00	AK4191/1KDVP-2.5-PEBBLE GREY	54191010051G	250
2	6.50	AK4191/2KDVP-2.5-PEBBLE GREY	54191020051F	200
3	9.00	AK4191/3KDVP-2.5-PEBBLE GREY	54191030051F	200
4	11.50	AK4191/4KDVP-2.5-PEBBLE GREY	54191040051F	200
5	14.00	AK4191/5KDVP-2.5-PEBBLE GREY	54191050051E	100
6	16.50	AK4191/6KDVP-2.5-PEBBLE GREY	54191060051E	100
7	19.00	AK4191/7KDVP-2.5-PEBBLE GREY	54191070051E	100
8	21.50	AK4191/8KDVP-2.5-PEBBLE GREY	54191080051D	50
9	24.00	AK4191/9KDVP-2.5-PEBBLE GREY	54191090051D	50
10	26.50	AK4191/10KDVP-2.5-PEBBLE GREY	54191100051D	50
11	29.00	AK4191/11KDVP-2.5-PEBBLE GREY	54191110051D	50
12	31.50	AK4191/12KDVP-2.5-PEBBLE GREY	54191120051D	50



### Accessories

Figure	Designation	Article Number
	Spacer SPC-AK4191-PEBBLE GREY	54191000000

See pages 282 ff for detail and general accessories and see pages 12/13 concerning services.



### Ratings

Usegroup	C 		D 		
	B	C	D		
Rated Voltage	300 V	-	300 V	250 V	
Rated Current	2 A	-	2 A	2 A	
Rated Wire Size				min max	
	solid	AWG 26-20	-	AWG 26-20	0.2 mm <sup>2</sup> 0.75 mm <sup>2</sup>
	stranded	AWG 26-20	-	AWG 26-20	0.2 mm <sup>2</sup> 0.75 mm <sup>2</sup>
Test Voltage	1.6 kV	-	1.6 kV	2.0 kV	