

AK955/..-5.0-GREEN AKZ955/..-5.08-GREEN



Technical Data

Wire Sizes		Insulating Material	
Solid min	0.2 mm ²	Material	PA 6.6
Solid max	4.0 mm ²	Flammability Class	UL 94 V-0
Stranded (flexible) min	0.2 mm ²	Temperatures	
Stranded (flexible) max	4.0 mm ²	Operating Temperature	-30 °C - 105 °C
Stranded with Ferrule min	0.25 mm ²	Wave Soldering Process	
Stranded with Ferrule max	2.5 mm ²	Soldering Temperature, recommended	-
Dimensions		Peak Soldering Time, recommended	-
Stripped Length	7.0 mm	Reflow Process	
PCB Hole Diameter	-	Soldering Temperature, recommended	-
Materials		Peak Soldering Time, recommended	-
Clamp	Brass		
Screw	Steel		
Contact Spring	Bronze		

Colours

	GREEN, RAL 6018		BLACK, RAL 9011
	LIGHT GREY, RAL 7035		LIGHT GREEN, similar RAL 6018

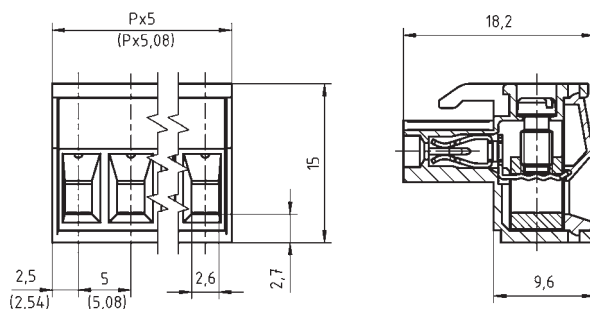
Colours according to RAL, there may be variations on colour due to production conditions. Special colours on request.

Counterparts (Spacing 5.0 mm)

Pin Strip		
STL955	STL950	STL975

Counterparts (Spacing 5.08 mm)

Pin Strip / Terminal Block			
STLZ950	STLZ970	STLZ990	AKZ950-INV



Order Data (Spacing 5.0 mm)

Poles	Width (mm)	Article Designation	Article Number	PU
2	10.00	AK955/2-5.0-GREEN	50955020001F	200
3	15.00	AK955/3-5.0-GREEN	50955030001F	200
4	20.00	AK955/4-5.0-GREEN	50955040001F	200
5	25.00	AK955/5-5.0-GREEN	50955050001E	100
6	30.00	AK955/6-5.0-GREEN	50955060001E	100
7	35.00	AK955/7-5.0-GREEN	50955070001E	100
8	40.00	AK955/8-5.0-GREEN	50955080001D	50
9	45.00	AK955/9-5.0-GREEN	50955090001D	50
...
24	120.00	AK955/24-5.0-GREEN	50955240001D	50

Order Data (Spacing 5.08 mm)

Poles	Width (mm)	Article Designation	Article Number	PU
2	10.16	AKZ955/2-5.08-GREEN	50955020021F	200
3	15.24	AKZ955/3-5.08-GREEN	50955030021F	200
4	20.32	AKZ955/4-5.08-GREEN	50955040021F	200
5	25.40	AKZ955/5-5.08-GREEN	50955050021E	100
6	30.48	AKZ955/6-5.08-GREEN	50955060021E	100
7	35.56	AKZ955/7-5.08-GREEN	50955070021E	100
8	40.64	AKZ955/8-5.08-GREEN	50955080021D	50
9	45.72	AKZ955/9-5.08-GREEN	50955090021D	50
...
24	121.92	AKZ955/24-5.08-GREEN	50955240021D	50

Accessories

Figure	Designation	Article Number
	Bridge, 2-pole, insulated, BR/2-5.0/5.08-LIGHT GREY	50000000006
	Bridge, 3-pole, insulated, BR/3-5.0/5.08-LIGHT GREY	50000000007
	Bridge, 2-pole, BR/2-5.0/5.08-L7.0	50000000008
	Coding Star CS1-5.0/5.08-RED	50000000021

See pages 282 ff for detail and general accessories and see pages 12/13 concerning services.

Ratings

Usegroup	c			
	B	C	D	
Rated Voltage	300 V	-	300 V	250 V
Rated Current	10 A	-	10 A	9 A
Overvoltage Category				III
Rated Wire Size			min	max
	solid	AWG 28-12	-	AWG 28-12
	stranded	AWG 28-12	-	AWG 28-12
Torque	0.50 Nm		0.50 Nm	
Screw Size	M3		M3	
Test Voltage	1.6 kV		1.6 kV	
Pollution Degree	3			