

AK300/..-5.0-GREY AKZ300/..-5.08-GREY



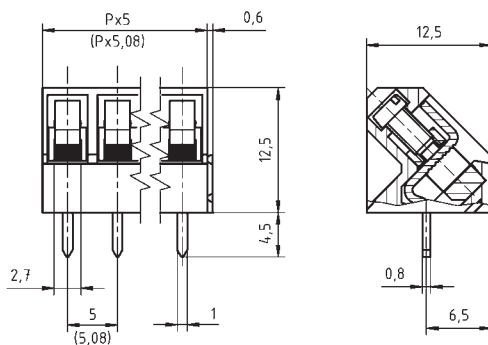
Technical Data

Wire Sizes		Insulating Material	
Solid min	0.14 mm ²	Material	PA 6.6
Solid max	2.5 mm ²	Flammability Class	UL 94 V-0
Stranded (flexible) min	0.14 mm ²	Temperatures	
Stranded (flexible) max	1.5 mm ²	Operating Temperature	-30 °C - 105 °C
Stranded with Ferrule min	0.25 mm ²	Wave Soldering Process	
Stranded with Ferrule max	1.5 mm ²	Soldering Temperature, recommended	265 °C
		Peak Soldering Time, recommended	3 s / 10 s
Dimensions		Reflow Process	
Stripped Length	7.0 mm	Soldering Temperature, recommended	-
PCB Hole Diameter	1.3 mm	Peak Soldering Time, recommended	-
Materials			
Clamp	Brass		
Screw	Steel		
Solder Tag	Copper Alloy		

Colours

	GREY, RAL 7016		GREEN, RAL 6018
	BLUE, RAL 5015		

Colours according to RAL, there may be variations on colour due to production conditions. Special colours on request.



Order Data (Spacing 5.0 mm)

Poles	Width (mm)	Article Designation	Article Number	PU
2	10.60	AK300/2-5.0-GREY	50300020041F	200
3	15.60	AK300/3-5.0-GREY	50300030041F	200
4	20.60	AK300/4-5.0-GREY	50300040041F	200
5	25.60	AK300/5-5.0-GREY	50300050041F	200
6	30.60	AK300/6-5.0-GREY	50300060041F	200
7	35.60	AK300/7-5.0-GREY	50300070041E	100
8	40.60	AK300/8-5.0-GREY	50300080041E	100
9	45.60	AK300/9-5.0-GREY	50300090041E	100
...
12	60.60	AK300/12-5.0-GREY	50300120041D	50

Order Data (Spacing 5.08 mm)

Poles	Width (mm)	Article Designation	Article Number	PU
2	10.76	AKZ300/2-5.08-GREY	50300020141F	200
3	15.84	AKZ300/3-5.08-GREY	50300030141F	200
4	20.92	AKZ300/4-5.08-GREY	50300040141F	200
5	26.00	AKZ300/5-5.08-GREY	50300050141F	200
6	31.08	AKZ300/6-5.08-GREY	50300060141F	200
7	36.16	AKZ300/7-5.08-GREY	50300070141E	100
8	41.24	AKZ300/8-5.08-GREY	50300080141E	100
9	46.32	AKZ300/9-5.08-GREY	50300090141E	100
...
12	61.56	AKZ300/12-5.08-GREY	50300120141D	50

Accessories

Figure	Designation	Article Number
	Bridge, 2-pole, insulated, BR/2-5.0/5.08-LIGHT GREY	50000000006
	Bridge, 3-pole, insulated, BR/3-5.0/5.08-LIGHT GREY	50000000007
	Bridge, 2-pole, BR/2-5.0/5.08-L7.0	50000000008

See pages 282 ff for detail and general accessories and see pages 12/13 concerning services.

Ratings



Usegroup	B	C	D		
Rated Voltage	300 V	-	300 V	250 V	
Rated Current	15 A	-	10 A	24 A	
Rated Wire Size				min	max
	solid	AWG 22-12	-	AWG 22-12	0.5 mm ² / 2.5 mm ²
	stranded	AWG 22-12	-	AWG 22-12	0.5 mm ² / 1.5 mm ²
Torque	0.40 Nm	-	0.40 Nm	0.40 Nm	
Screw Size	M2.6	-	M2.6	M2.6	
Test Voltage	1.6 kV	-	1.6 kV	2.0 kV	