



## AK1700/..F-3.5-GREEN AKZ1700/..F-3.81-GREEN

### Technical Data

Wire Sizes		Insulating Material	
Solid min	0.14 mm <sup>2</sup>	Material	PA 6.6
Solid max	1.5 mm <sup>2</sup>	Flammability Class	UL 94 V-0
Stranded (flexible) min		<b>Temperatures</b>	
Stranded (flexible) max	0.14 mm <sup>2</sup>	Operating Temperature	-30 °C - 105 °C
Stranded with Ferrule min	0.25 mm <sup>2</sup>	<b>Wave Soldering Process</b>	
Stranded with Ferrule max	1.0 mm <sup>2</sup>	Soldering Temperature, recommended	-
<b>Dimensions</b>		Peak Soldering Time, recommended	-
Stripped Length	7.0 mm	<b>Reflow Process</b>	
PCB Hole Diameter	-	Soldering Temperature, recommended	-
<b>Materials</b>		Peak Soldering Time, recommended	-
Clamp	Brass		
Screw	Bronze		
Screw, Flange	Steel		
Contact Spring	Bronze		

### Colours

	GREEN, RAL 6018		LIGHT GREY, RAL 7035
	LIGHT GREEN, similar RAL 6018		

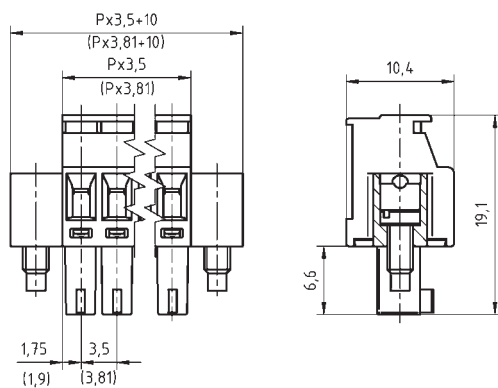
Colours according to RAL, there may be variations on colour due to production conditions. Special colours on request.

### Counterparts (Spacing 3.5 mm)

Pin Strip  
STL1550

### Counterparts (Spacing 3.81 mm)

Pin Strip  
STLZ1550 STLZ1570



### Order Data (Spacing 3.5 mm)

Poles	Width (mm)	Article Designation	Article Number	PU
2	17.00	AK1700/2F-3.5-GREEN	51700022001F	200
3	20.50	AK1700/3F-3.5-GREEN	51700032001F	200
4	24.00	AK1700/4F-3.5-GREEN	51700042001F	200
5	27.50	AK1700/5F-3.5-GREEN	51700052001E	100
6	31.00	AK1700/6F-3.5-GREEN	51700062001E	100
7	34.50	AK1700/7F-3.5-GREEN	51700072001D	50
8	38.00	AK1700/8F-3.5-GREEN	51700082001D	50
9	41.50	AK1700/9F-3.5-GREEN	51700092001D	50
...	...	...	...	...
20	80.00	AK1700/20F-3.5-GREEN	51700202001D	50

### Order Data (Spacing 3.81 mm)

Poles	Width (mm)	Article Designation	Article Number	PU
2	17.62	AKZ1700/2F-3.81-GREEN	51700022021F	200
3	21.43	AKZ1700/3F-3.81-GREEN	51700032021F	200
4	25.24	AKZ1700/4F-3.81-GREEN	51700042021F	200
5	29.05	AKZ1700/5F-3.81-GREEN	51700052021E	100
6	32.86	AKZ1700/6F-3.81-GREEN	51700062021E	100
7	36.67	AKZ1700/7F-3.81-GREEN	51700072021D	50
8	40.48	AKZ1700/8F-3.81-GREEN	51700082021D	50
9	44.29	AKZ1700/9F-3.81-GREEN	51700092021D	50
...	...	...	...	...
20	86.20	AKZ1700/20F-3.81-GREEN	51700202021D	50

### Accessories

Figure	Designation	Article Number
	Bridge, 2-pole, BR/2-3.5/3.81-L7.5	50000000015
	Bridge, 3-pole, BR/3-3.5/3.81-L7.5	50000000016
	Bridge, 2-pole, angled, BR/2-3.5/3.81-H-L7.5	50000000029
	Bridge, 2-pole, insulated, BR/2-7.0/7.62-L7.5-LIGHT GREY	50000000018
	Series AK(Z)1700 with pull relief	on request

See pages 282 ff for detail and general accessories and see pages 12/13 concerning services.

### Ratings

Usegroup	c			
	B	C	D	
Rated Voltage	300 V	-	300 V	160 V
Rated Current	8 A	-	8 A	8 A
Overvoltage Category				III
Rated Wire Size			min	max
	solid	AWG 28-16	-	AWG 28-16
	stranded	AWG 28-16	-	AWG 28-16
Torque	0.25 Nm		0.25 Nm	
Screw Size	M2		M2	
Test Voltage	1.6 kV		1.6 kV	
Pollution Degree	3			