

# Series 3015/G

- Ball-head switching test probe for presence detection with side activation
- Threaded type
- Precision ball plunger guide

## Mechanical Data

Center	7.5 mm / 300 mil
Full Travel	1.00 mm
Working Travel	0.80 mm
Switching Travel	0.50 mm
Pre-Loaded Spring Force	0.20 N
Spring Force at Working Travel	0.70 N
Spring Force at Switching Travel	0.60 N

## Electrical Data

Max. Current Rating	1.0 A
Typical Continuity Resistance	≤ 25 mOhm
Typical Insulating Voltage	1000 V

## Materials

Barrel	Brass, gold plated
Spring	Spring Steel, gold plated
Plunger	Steel
Receptacle	Brass, gold plated

## Recommended Diameter of Drill

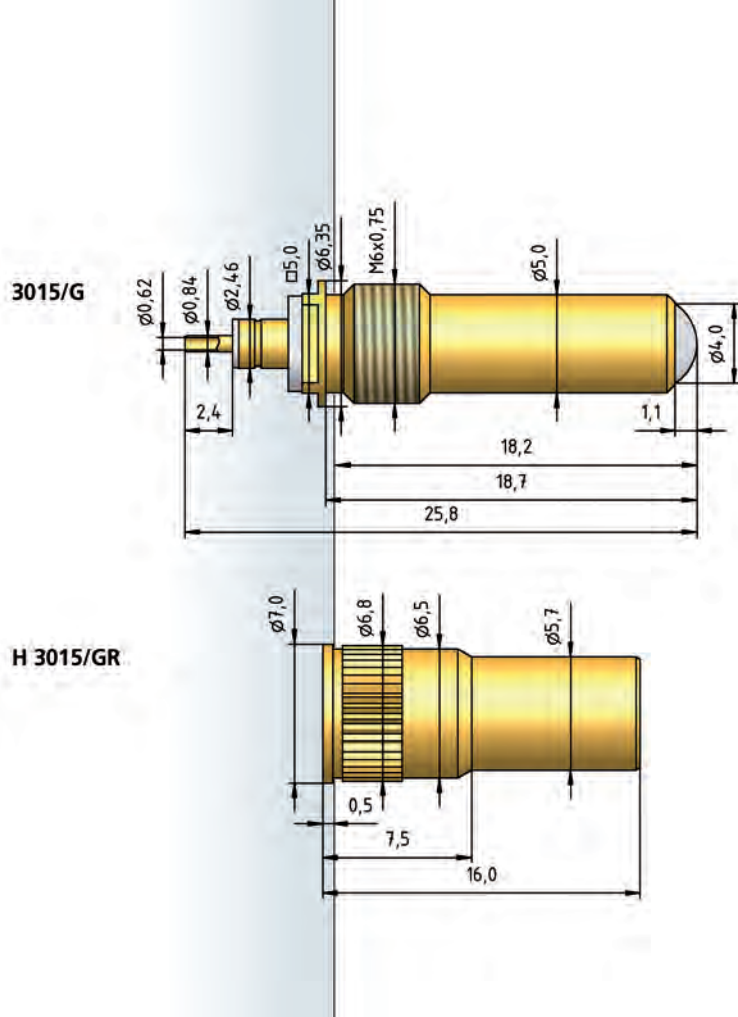
HP 2361.1 (Trolitax)	6.75...6.80 mm
----------------------	----------------

## Tip Style · Diameter · Plating



D

4.00 Ni



## How to Order

**3015/ G - D - 0.7 N - Ni - 4.0**

1 2 3 4 5 6

1. Series 2. Threaded Design 3. Tip Style 4. Spring Force 5. Tip Plating  
6. Tip Diameter