

Tension Spring | Spacing 2.5 mm / 2.54 mm

# AK3191/..-2.5-PEBBLE GREY AKZ3191/..-2.54-ORANGE

1- to n-poles



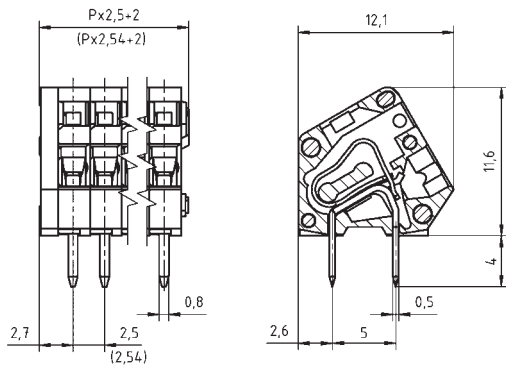
## Technical Data

Wire Sizes		Insulating Material	
Solid min	0.08 mm <sup>2</sup>	Material	PA 6.6
Solid max	1.0 mm <sup>2</sup>	Flammability Class	UL 94 V-0
Stranded (flexible) min	0.14 mm <sup>2</sup>	<b>Temperatures</b>	
Stranded (flexible) max	0.5 mm <sup>2</sup>	Operating Temperature	-30 °C - 105 °C
Stranded with Ferrule min	0.14 mm <sup>2</sup>	<b>Wave Soldering Process</b>	
Stranded with Ferrule max	0.14 mm <sup>2</sup>	Soldering Temperature, recommended	265 °C
<b>Dimensions</b>		Peak Soldering Time, recommended	3 s / 10 s
Stripped Length	5.0 mm	<b>Reflow Process</b>	
PCB Hole Diameter	1.1 mm	Soldering Temperature, recommended	-
<b>Materials</b>		Peak Soldering Time, recommended	-
Solder Tag	Copper Alloy		
Tension Spring	Stainless Steel		

## Colours

PEBBLE GREY, RAL 7032      ORANGE, RAL 2011

Colours according to RAL, there may be variations on colour due to production conditions. Special colours on request.



## Order Data (Spacing 2.5 mm)

Poles	Width (mm)	Article Designation	Article Number	PU
1	4.50	AK3191/1-2.5-PEBBLE GREY	53191010001F	200
2	7.00	AK3191/2-2.5-PEBBLE GREY	53191020001F	200
3	9.50	AK3191/3-2.5-PEBBLE GREY	53191030001F	200
4	12.00	AK3191/4-2.5-PEBBLE GREY	53191040001F	200
5	14.50	AK3191/5-2.5-PEBBLE GREY	53191050001E	100
6	17.00	AK3191/6-2.5-PEBBLE GREY	53191060001E	100
7	19.50	AK3191/7-2.5-PEBBLE GREY	53191070001E	100
8	22.00	AK3191/8-2.5-PEBBLE GREY	53191080001D	50
...	...	...	...	...
12	32.00	AK3191/12-2.5-PEBBLE GREY	53191120001D	50

## Order Data (Spacing 2.54 mm)

Poles	Width (mm)	Article Designation	Article Number	PU
1	4.54	AKZ3191/1-2.54-ORANGE	53191011321F	200
2	7.08	AKZ3191/2-2.54-ORANGE	53191021321F	200
3	9.62	AKZ3191/3-2.54-ORANGE	53191031321F	200
4	12.16	AKZ3191/4-2.54-ORANGE	53191041321F	200
5	14.70	AKZ3191/5-2.54-ORANGE	53191051321E	100
6	17.24	AKZ3191/6-2.54-ORANGE	53191061321E	100
7	19.78	AKZ3191/7-2.54-ORANGE	53191071321E	100
8	22.32	AKZ3191/8-2.54-ORANGE	53191081321D	50
...	...	...	...	...
12	32.48	AKZ3191/12-2.54-ORANGE	53191121321D	50

## Ratings



Usegroup	B	C	D	
Rated Voltage	150 V	-	-	130 V
Rated Current	4 A	-	-	9 A
Rated Wire Size				min      max
solid	AWG 28-20	-	-	0.2 mm <sup>2</sup> 0.5 mm <sup>2</sup>
stranded	-	-	-	-      -
Test Voltage	1.3 kV	-	-	1.25 kV