

# AK590/..DS-5.0-GREY



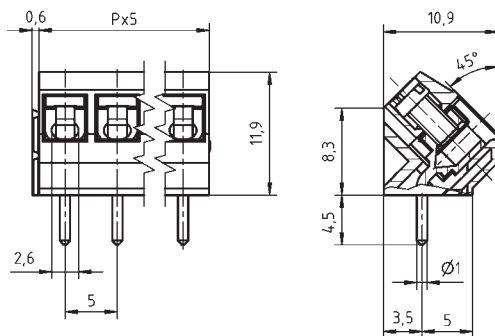
### Technical Data

| Wire Sizes                |                     | Insulating Material                |                 |
|---------------------------|---------------------|------------------------------------|-----------------|
| Solid min                 | 0.2 mm <sup>2</sup> | Material                           | PA 6.6          |
| Solid max                 | 1.5 mm <sup>2</sup> | Flammability Class                 | UL 94 V-0       |
| Stranded (flexible) min   | 0.2 mm <sup>2</sup> | <b>Temperatures</b>                |                 |
| Stranded (flexible) max   | 1.5 mm <sup>2</sup> | Operating Temperature              | -30 °C - 105 °C |
| Stranded with Ferrule min | 0.2 mm <sup>2</sup> | <b>Wave Soldering Process</b>      |                 |
| Stranded with Ferrule max | 1.5 mm <sup>2</sup> | Soldering Temperature, recommended | 265 °C          |
| <b>Dimensions</b>         |                     | Peak Soldering Time, recommended   | 3 s / 10 s      |
| Stripped Length           | 6.0 mm              | <b>Reflow Process</b>              |                 |
| PCB Hole Diameter         | 1.3 mm              | Soldering Temperature, recommended | -               |
| <b>Materials</b>          |                     | Peak Soldering Time, recommended   | -               |
| Clamp                     | Brass               |                                    |                 |
| Wire Guard                | Stainless Steel     |                                    |                 |
| Screw                     | Steel               |                                    |                 |

### Colours

- GREY, RAL 7016
- BLUE, RAL 5015
- LIGHT GREEN, similar RAL 6018




Colours according to RAL, there may be variations on colour due to production conditions. Special colours on request.



### Order Data (Spacing 5.0 mm)

| Poles | Width (mm) | Article Designation | Article Number | PU  |
|-------|------------|---------------------|----------------|-----|
| 2     | 10.60      | AK590/2DS-5.0-GREY  | 50590020121G   | 250 |
| 3     | 15.60      | AK590/3DS-5.0-GREY  | 50590030121G   | 250 |
| 4     | 20.60      | AK590/4DS-5.0-GREY  | 50590040121G   | 250 |
| 5     | 25.60      | AK590/5DS-5.0-GREY  | 50590050121G   | 250 |
| 6     | 30.60      | AK590/6DS-5.0-GREY  | 50590060121G   | 250 |
| 7     | 35.60      | AK590/7DS-5.0-GREY  | 50590070121G   | 250 |
| 8     | 40.60      | AK590/8DS-5.0-GREY  | 50590080121E   | 100 |
| 9     | 45.60      | AK590/9DS-5.0-GREY  | 50590090121E   | 100 |
| 10    | 50.60      | AK590/10DS-5.0-GREY | 50590100121E   | 100 |
| 11    | 55.60      | AK590/11DS-5.0-GREY | 50590110121E   | 100 |
| 12    | 60.60      | AK590/12DS-5.0-GREY | 50590120121E   | 100 |

### Accessories

| Figure  | Designation   | Article Number |
|---|---|----------------|
|  | Bridge, 2-pole, insulated, BR/2-5.0/5.08-LIGHT GREY | 50000000006    |
|  | Bridge, 3-pole, insulated, BR/3-5.0/5.08-LIGHT GREY | 50000000007    |
|  | Bridge, 2-pole, BR/2-5.0/5.08-L7.0                  | 50000000008    |

See pages 282 ff for detail and general accessories and see pages 12/13 concerning services.

### Ratings



| Usegroup        | B        | C         | D       |           |   |
|-----------------|----------|-----------|---------|-----------|---|
| Rated Voltage   | 300 V    | -         | 300 V   | 250 V     |   |
| Rated Current   | 15 A     | -         | 10 A    | 17.5 A    |   |
| Rated Wire Size |          |           | min     |           | max                                       |
|                 | solid    | AWG 22-14 | -       | AWG 22-14 | 0.5 mm <sup>2</sup> / 1.5 mm <sup>2</sup> |
|                 | stranded | AWG 22-14 | -       | AWG 22-14 | 0.5 mm <sup>2</sup> / 1.5 mm <sup>2</sup> |
| Torque          | 0.40 Nm  |           | 0.40 Nm |           | 0.40 Nm                                   |
| Screw Size      | M2.6     |           | M2.6    |           | M2.6                                      |
| Test Voltage    | 1.6 kV   |           | 1.6 kV  |           | 2.0 kV                                    |