

# AK1700/..-3.5-GREEN

## AKZ1700/..-3.81-GREEN



### Technical Data

Wire Sizes		Insulating Material	
Solid min	0.14 mm <sup>2</sup>	Material	PA 6.6
Solid max	1.5 mm <sup>2</sup>	Flammability Class	UL 94 V-0
Stranded (flexible) min	0.14 mm <sup>2</sup>	<b>Temperatures</b>	
Stranded (flexible) max	1.5 mm <sup>2</sup>	Operating Temperature	-30 °C - 105 °C
Stranded with Ferrule min	0.25 mm <sup>2</sup>	<b>Wave Soldering Process</b>	
Stranded with Ferrule max	1.0 mm <sup>2</sup>	Soldering Temperature, recommended	-
<b>Dimensions</b>		Peak Soldering Time, recommended	-
Stripped Length	7.0 mm	<b>Reflow Process</b>	
PCB Hole Diameter	-	Soldering Temperature, recommended	-
<b>Materials</b>		Peak Soldering Time, recommended	-
Clamp	Brass		
Screw	Bronze		
Contact Spring	Bronze		

### Colours

	GREEN, RAL 6018		LIGHT GREY, RAL 7035
	LIGHT GREEN, similar RAL 6018		

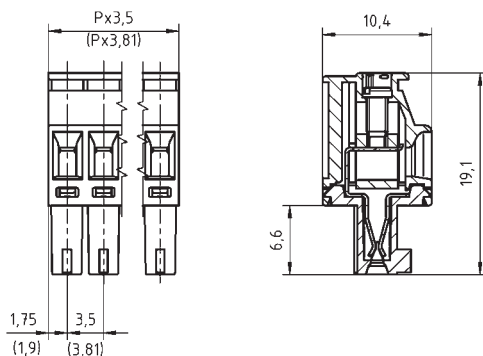
Colours according to RAL, there may be variations on colour due to production conditions. Special colours on request.

### Counterparts (Spacing 3.5 mm)

Pin Strip  
STL1550

### Counterparts (Spacing 3.81 mm)

Pin Strip  
STLZ1550 STLZ1570 STLZ1590



### Order Data (Spacing 3.5 mm)

Poles	Width (mm)	Article Designation	Article Number	PU
2	7.00	AK1700/2-3.5-GREEN	51700020001F	200
3	10.50	AK1700/3-3.5-GREEN	51700030001F	200
4	14.00	AK1700/4-3.5-GREEN	51700040001F	200
5	17.50	AK1700/5-3.5-GREEN	51700050001F	200
6	21.00	AK1700/6-3.5-GREEN	51700060001E	100
7	24.50	AK1700/7-3.5-GREEN	51700070001E	100
8	28.00	AK1700/8-3.5-GREEN	51700080001D	50
9	31.50	AK1700/9-3.5-GREEN	51700090001D	50
...	...	...	...	...
20	70.00	AK1700/20-3.5-GREEN	51700200001D	50

### Order Data (Spacing 3.81 mm)

Poles	Width (mm)	Article Designation	Article Number	PU
2	7.62	AKZ1700/2-3.81-GREEN	51700020021F	200
3	11.43	AKZ1700/3-3.81-GREEN	51700030021F	200
4	15.24	AKZ1700/4-3.81-GREEN	51700040021F	200
5	19.05	AKZ1700/5-3.81-GREEN	51700050021F	200
6	22.86	AKZ1700/6-3.81-GREEN	51700060021E	100
7	26.67	AKZ1700/7-3.81-GREEN	51700070021E	100
8	30.48	AKZ1700/8-3.81-GREEN	51700080021D	50
9	34.29	AKZ1700/9-3.81-GREEN	51700090021D	50
...	...	...	...	...
20	76.20	AKZ1700/20-3.81-GREEN	51700200021D	50

### Accessories

Figure	Designation	Article Number
	Bridge, 2-pole, BR/2-3.5/3.81-L7.5	50000000015
	Bridge, 3-pole, BR/3-3.5/3.81-L7.5	50000000016
	Bridge, 2-pole, angled, BR/2-3.5/3.81-H-L7.5	50000000029
	Bridge, 2-pole, insulated, BRI/2-7.0/7.62-L7.5-LIGHT GREY	50000000018
	Series AK(Z)1700 with pull relief	on request

See pages 282 ff for detail and general accessories and see pages 12/13 concerning services.

### Ratings

Usegroup	c				
	B	C	D		
Rated Voltage	300 V	-	300 V	160 V	
Rated Current	8 A	-	8 A	8 A	
Overvoltage Category				III	
Rated Wire Size			min max		
	solid	AWG 28-16	-	AWG 28-16	0.5 mm <sup>2</sup> (6 A) 1.5 mm <sup>2</sup> (8 A)
	stranded	AWG 28-16	-	AWG 28-16	0.5 mm <sup>2</sup> (6 A) 1.5 mm <sup>2</sup> (8 A)
Torque	0.25 Nm		0.25 Nm		0.25 Nm
Screw Size	M2		M2		M2
Test Voltage	1.6 kV		1.6 kV		2.5 kV
Pollution Degree					3