

AK950/..F-5.0-GREEN AKZ950/..F-5.08-GREEN



Technical Data

| Wire Sizes | | Insulating Material | |
|---------------------------|----------------------|------------------------------------|-----------------|
| Solid min | 0.2 mm ² | Material | PA 6.6 |
| Solid max | 4.0 mm ² | Flammability Class | UL 94 V-0 |
| Stranded (flexible) min | 0.2 mm ² | Temperatures | |
| Stranded (flexible) max | 2.5 mm ² | Operating Temperature | -30 °C - 105 °C |
| Stranded with Ferrule min | 0.25 mm ² | Wave Soldering Process | |
| Stranded with Ferrule max | 2.5 mm ² | Soldering Temperature, recommended | - |
| | | Peak Soldering Time, recommended | - |
| Dimensions | | Reflow Process | |
| Stripped Length | 6.0 mm | Soldering Temperature, recommended | - |
| PCB Hole Diameter | - | Peak Soldering Time, recommended | - |
| Materials | | | |
| Clamp | Brass | | |
| Screw | Steel | | |
| Screw, Flange | Steel | | |
| Contact Spring | Bronze | | |

Colours

GREEN, RAL 6018 LIGHT GREEN, similar RAL 6018

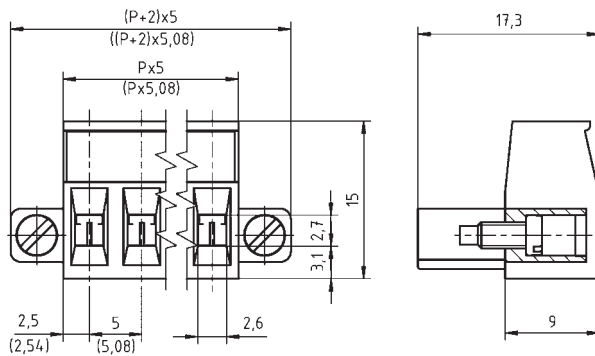
Colours according to RAL, there may be variations on colour due to production conditions. Special colours on request.

Counterparts (Spacing 5.0 mm)

Pin Strip
STL950

Counterparts (Spacing 5.08 mm)

Pin Strip / Terminal Block
STLZ950 STLZ970 AKZS950



Order Data (Spacing 5.0 mm)

| Poles | Width (mm) | Article Designation | Article Number | PU |
|-------|------------|---------------------|----------------|-----|
| 2 | 20.00 | AK950/2F-5.0-GREEN | 50950022001F | 200 |
| 3 | 25.00 | AK950/3F-5.0-GREEN | 50950032001F | 200 |
| 4 | 30.00 | AK950/4F-5.0-GREEN | 50950042001F | 200 |
| 5 | 35.00 | AK950/5F-5.0-GREEN | 50950052001E | 100 |
| 6 | 40.00 | AK950/6F-5.0-GREEN | 50950062001E | 100 |
| 7 | 45.00 | AK950/7F-5.0-GREEN | 50950072001E | 100 |
| 8 | 50.00 | AK950/8F-5.0-GREEN | 50950082001D | 50 |
| 9 | 55.00 | AK950/9F-5.0-GREEN | 50950092001D | 50 |
| ... | ... | ... | ... | ... |
| 24 | 130.00 | AK950/24F-5.0-GREEN | 50950242001D | 50 |

Order Data (Spacing 5.08 mm)

| Poles | Width (mm) | Article Designation | Article Number | PU |
|-------|------------|-----------------------|----------------|-----|
| 2 | 20.32 | AKZ950/2F-5.08-GREEN | 50950022021F | 200 |
| 3 | 25.40 | AKZ950/3F-5.08-GREEN | 50950032021F | 200 |
| 4 | 30.48 | AKZ950/4F-5.08-GREEN | 50950042021F | 200 |
| 5 | 35.56 | AKZ950/5F-5.08-GREEN | 50950052021E | 100 |
| 6 | 40.64 | AKZ950/6F-5.08-GREEN | 50950062021E | 100 |
| 7 | 45.72 | AKZ950/7F-5.08-GREEN | 50950072021E | 100 |
| 8 | 50.80 | AKZ950/8F-5.08-GREEN | 50950082021D | 50 |
| 9 | 55.88 | AKZ950/9F-5.08-GREEN | 50950092021D | 50 |
| ... | ... | ... | ... | ... |
| 24 | 132.08 | AKZ950/24F-5.08-GREEN | 50950242021D | 50 |

Accessories

| Figure | Designation | Article Number |
|--------|-----------------------------------------------------|----------------|
| | Bridge, 2-pole, insulated, BR/2-5.0/5.08-LIGHT GREY | 50000000006 |
| | Bridge, 3-pole, insulated, BR/3-5.0/5.08-LIGHT GREY | 50000000007 |
| | Bridge, 2-pole, BR/2-5.0/5.08-L7.0 | 50000000008 |
| | Coding Star CS1-5.0/5.08-RED | 50000000021 |
| | Series AK(Z)950 with separating element | on request |
| | Series AK(Z)950 with pull relief | on request |

See pages 282 ff for detail and general accessories and see pages 12/13 concerning services.

Ratings

| Usegroup | UL US | | | VDE | |
|----------------------|----------|-----------|-----------|---------------------------|----------------------------|
| | B | C | D | III | |
| Rated Voltage | 300 V | 150 V | 300 V | 250 V | |
| Rated Current | 15 A | 15 A | 10 A | 12 A | |
| Overvoltage Category | | | | III | |
| Rated Wire Size | | | min | | max |
| | solid | AWG 22-12 | AWG 22-12 | 0.5 mm ² (5 A) | 2.5 mm ² (12 A) |
| | stranded | AWG 22-12 | AWG 22-12 | 0.5 mm ² (5 A) | 2.5 mm ² (12 A) |
| Torque | 0.50 Nm | 0.50 Nm | 0.50 Nm | 0.50 Nm | |
| Screw Size | M3 | M3 | M3 | M3 | |
| Test Voltage | 1.6 kV | 1.3 kV | 1.6 kV | 4.0 kV | |
| Pollution Degree | | | | 3 | |