



AK1550/..F-3.5-GREEN AKZ1550/..F-3.81-GREEN

Technical Data

Wire Sizes		Insulating Material	
Solid min	0.14 mm ²	Material	PA 6.6
Solid max	1.5 mm ²	Flammability Class	UL 94 V-0
Stranded (flexible) min	0.14 mm ²	Temperatures	
Stranded (flexible) max	1.5 mm ²	Operating Temperature	-30 °C - 105 °C
Stranded with Ferrule min	0.25 mm ²	Wave Soldering Process	
Stranded with Ferrule max	1.0 mm ²	Soldering Temperature, recommended	-
Dimensions		Peak Soldering Time, recommended	-
Stripped Length	7.0 mm	Reflow Process	
PCB Hole Diameter	-	Soldering Temperature, recommended	-
Materials		Peak Soldering Time, recommended	-
Clamp	Brass		
Screw	Bronze		
Screw, Flange	Steel		
Contact Spring	Bronze		

Colours

	GREEN, RAL 6018		BLACK, RAL 9011
	LIGHT GREEN, similar RAL 6018		

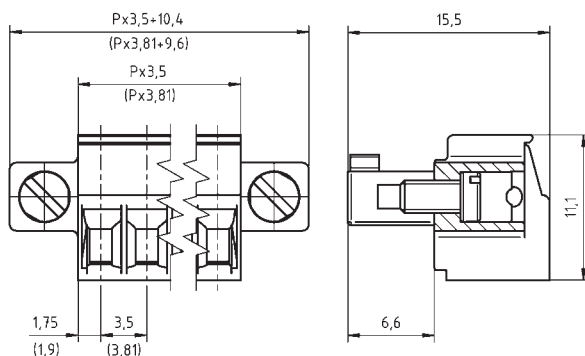
Colours according to RAL, there may be variations on colour due to production conditions. Special colours on request.

Counterparts (Spacing 3.5 mm)

Pin Strip	
STL1550	

Counterparts (Spacing 3.81 mm)

Pin Strip	
STLZ1550 STLZ1570	



Order Data (Spacing 3.5 mm)

Poles	Width (mm)	Article Designation	Article Number	PU
2	17.40	AK1550/2F-3.5-GREEN	51550022001F	200
3	20.90	AK1550/3F-3.5-GREEN	51550032001F	200
4	24.40	AK1550/4F-3.5-GREEN	51550042001F	200
5	27.90	AK1550/5F-3.5-GREEN	51550052001F	200
6	31.40	AK1550/6F-3.5-GREEN	51550062001E	100
7	34.90	AK1550/7F-3.5-GREEN	51550072001D	50
8	38.40	AK1550/8F-3.5-GREEN	51550082001D	50
9	41.90	AK1550/9F-3.5-GREEN	51550092001D	50
...
20	80.40	AK1550/20F-3.5-GREEN	51550202001D	50

Order Data (Spacing 3.81 mm)

Poles	Width (mm)	Article Designation	Article Number	PU
2	17.22	AKZ1550/2F-3.81-GREEN	51550022025F	200
3	21.03	AKZ1550/3F-3.81-GREEN	51550032025F	200
4	24.84	AKZ1550/4F-3.81-GREEN	51550042025F	200
5	28.65	AKZ1550/5F-3.81-GREEN	51550052025F	200
6	32.46	AKZ1550/6F-3.81-GREEN	51550062025E	100
7	36.27	AKZ1550/7F-3.81-GREEN	51550072025D	50
8	40.08	AKZ1550/8F-3.81-GREEN	51550082025D	50
9	43.89	AKZ1550/9F-3.81-GREEN	51550092025D	50
...
20	85.80	AKZ1550/20F-3.81-GREEN	51550202025D	50

Accessories

Figure	Designation	Article Number
	Bridge, 2-pole, BR/2-3.5/3.81-L7.5	50000000015
	Bridge, 3-pole, BR/3-3.5/3.81-L7.5	50000000016
	Bridge, 2-pole, angled, BR/2-3.5/3.81-H-L7.5	50000000029
	Bridge, 2-pole, insulated, BR/2-7.0/7.62-L7.5-LIGHT GREY	50000000018
	Series AK(Z)1550 with pull relief	on request

See pages 282 ff for detail and general accessories and see pages 12/13 concerning services.

Ratings

Usegroup	c RALUS		VDE	
	B	C	D	
Rated Voltage	300 V	-	300 V	160 V
Rated Current	8 A	-	8 A	8 A
Overvoltage Category				III
Rated Wire Size			min	max
	solid	AWG 28-16	-	AWG 28-16
	stranded	AWG 28-16	-	AWG 28-16
Torque	0.25 Nm		0.25 Nm	
Screw Size	M2		M2	
Test Voltage	1.6 kV		1.6 kV	
Pollution Degree	3			