

AK1710/..-3.5-GREEN

AKZ1710/..-3.81-GREEN



Technical Data

Wire Sizes		Insulating Material	
Solid min	0.14 mm ²	Material	PA 6.6
Solid max	1.5 mm ²	Flammability Class	UL 94 V-0
Stranded (flexible) min	0.14 mm ²	Temperatures	
Stranded (flexible) max	1.5 mm ²	Operating Temperature	-30 °C - 105 °C
Stranded with Ferrule min	0.25 mm ²	Wave Soldering Process	
Stranded with Ferrule max	1.0 mm ²	Soldering Temperature, recommended	-
Dimensions		Peak Soldering Time, recommended	-
Stripped Length	7.0 mm	Reflow Process	
PCB Hole Diameter	-	Soldering Temperature, recommended	-
Materials		Peak Soldering Time, recommended	-
Clamp	Brass		
Screw	Bronze		
Contact Spring	Bronze		

Colours

	GREEN, RAL 6018		LIGHT GREY, RAL 7035
	LIGHT GREEN, similar RAL 6018		

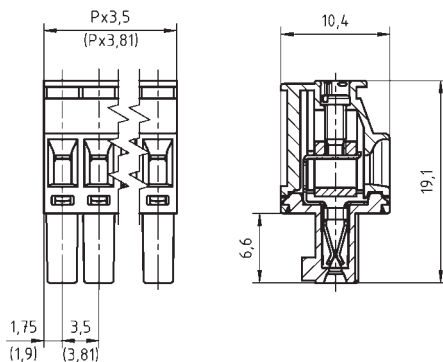
Colours according to RAL, there may be variations on colour due to production conditions. Special colours on request.

Counterparts (Spacing 3.5 mm)

Pin Strip
STL1550

Counterparts (Spacing 3.81 mm)

Pin Strip
STLZ1550 STLZ1570 STLZ1590



Order Data (Spacing 3.5 mm)

Poles	Width (mm)	Article Designation	Article Number	PU
2	7.00	AK1710/2-3.5-GREEN	51710020001F	200
3	10.50	AK1710/3-3.5-GREEN	51710030001F	200
4	14.00	AK1710/4-3.5-GREEN	51710040001F	200
5	17.50	AK1710/5-3.5-GREEN	51710050001F	200
6	21.00	AK1710/6-3.5-GREEN	51710060001E	100
7	24.50	AK1710/7-3.5-GREEN	51710070001E	100
8	28.00	AK1710/8-3.5-GREEN	51710080001D	50
9	31.50	AK1710/9-3.5-GREEN	51710090001D	50
...
20	70.00	AK1710/20-3.5-GREEN	51710200001D	50

Order Data (Spacing 3.81 mm)

Poles	Width (mm)	Article Designation	Article Number	PU
2	7.62	AKZ1710/2-3.81-GREEN	51710020021F	200
3	11.43	AKZ1710/3-3.81-GREEN	51710030021F	200
4	15.24	AKZ1710/4-3.81-GREEN	51710040021F	200
5	19.05	AKZ1710/5-3.81-GREEN	51710050021F	200
6	22.86	AKZ1710/6-3.81-GREEN	51710060021E	100
7	26.67	AKZ1710/7-3.81-GREEN	51710070021E	100
8	30.48	AKZ1710/8-3.81-GREEN	51710080021D	50
9	34.29	AKZ1710/9-3.81-GREEN	51710090021D	50
...
20	76.20	AKZ1710/20-3.81-GREEN	51710200021D	50

Accessories

Figure	Designation	Article Number
	Bridge, 2-pole, BR/2-3.5/3.81-L7.5	50000000015
	Bridge, 3-pole, BR/3-3.5/3.81-L7.5	50000000016
	Bridge, 2-pole, angled, BR/2-3.5/3.81-H-L7.5	50000000029
	Bridge, 2-pole, insulated, BR/2-7.0/7.62-L7.5-LIGHT GREY	50000000018
	Series AK(Z)1710 with pull relief	on request

See pages 282 ff for detail and general accessories and see pages 12/13 concerning services.

Ratings

Usegroup	c				
	B	C	D		
Rated Voltage	300 V	-	300 V	160 V	
Rated Current	8 A	-	8 A	8 A	
Overvoltage Category				III	
Rated Wire Size			min		max
	solid	AWG 28-16	-	AWG 28-16	0.5 mm ² (6 A) 1.5 mm ² (8 A)
	stranded	AWG 28-16	-	AWG 28-16	0.5 mm ² (6 A) 1.5 mm ² (8 A)
Torque	0.25 Nm		0.25 Nm		0.25 Nm
Screw Size	M2		M2		M2
Test Voltage	1.6 kV		1.6 kV		2.5 kV
Pollution Degree					3